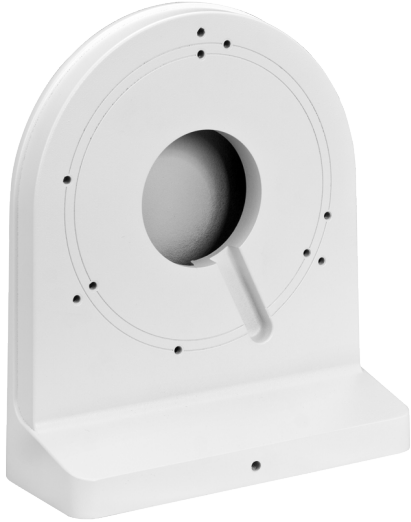


AVM-CWM-EDV-L1

COMPACT WALL MOUNT FOR VF/MOTORIZED LENS LARGE EYEBALL & LARGE VANDAL & INDOOR DOMES



AVM-CWM-EDV-L1 WALL MOUNT

COMPACT WALL MOUNT FOR VF/MOTORIZED LENS LARGE EYEBALL & LARGE VANDAL & INDOOR DOMES

The AVM-CWM-EDV-L1 is a compact wall mount designed for use with our Varifocal/Motorized Lens Large Eyeball and Large Vandal and Indoor Domes. Constructed with Aluminum alloy material with surface spray treatment and dust-proof design, this wall mount allows for the collection of camera cables.

FUNCTIONS

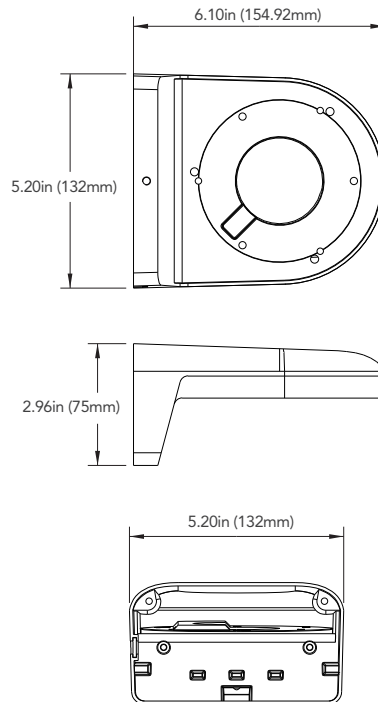
- Aluminum alloy material with surface spray treatment
- Camera cables can be collected to the mount.
- Dust-proof design

SPECIFICATIONS

GENERAL	
Material	Aluminum alloy
Color	white
Working Temperature	-40°C~60°C (-40°F~140°F)
Working Humidity	10~90% (Non-Condensing)
Packing Size	450 x 310 x 365mm
Weight	600
Ingress Protection	IP54
Dimensions	6.10in x 5.20in x 2.96in (154.92mm x 132mm x 75mm)

DIMENSIONS

Unit : inch (mm)



AVYCON[®]

Copyright © AVYCON. All rights reserved. Specifications and pricing are subject to change without notice.